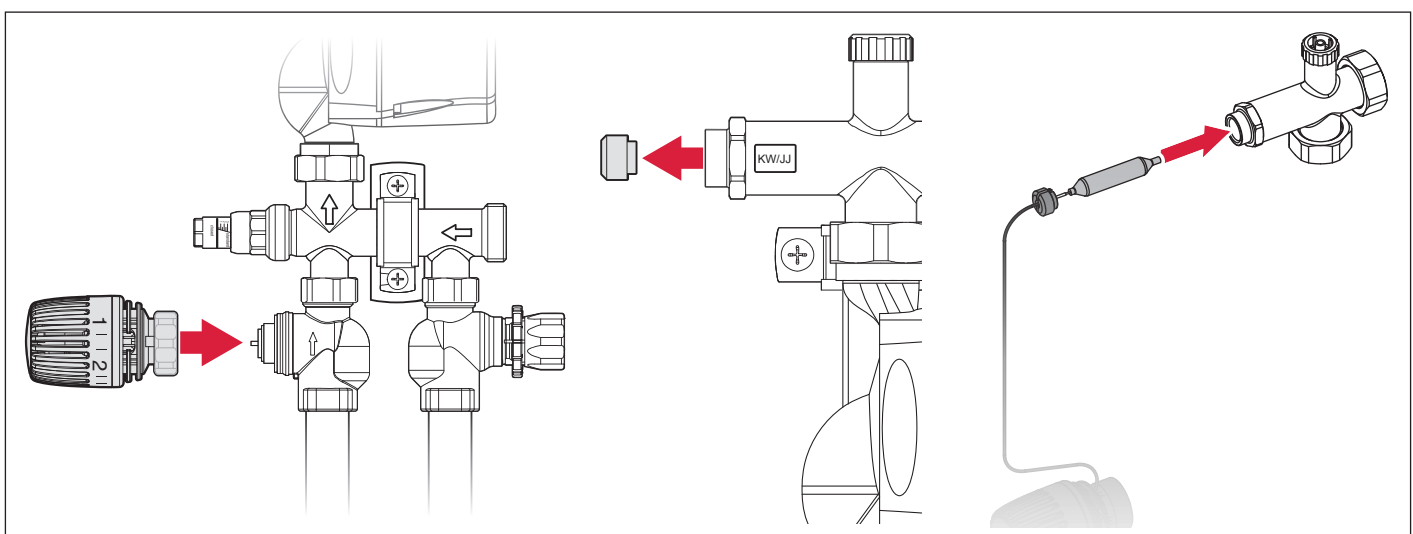
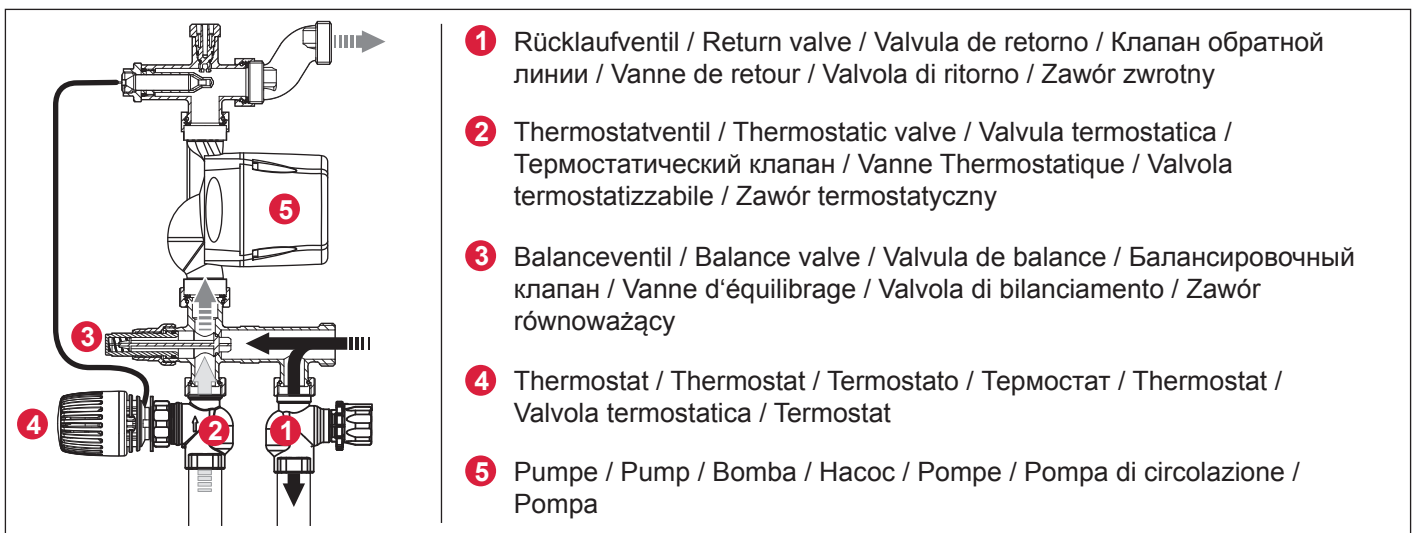


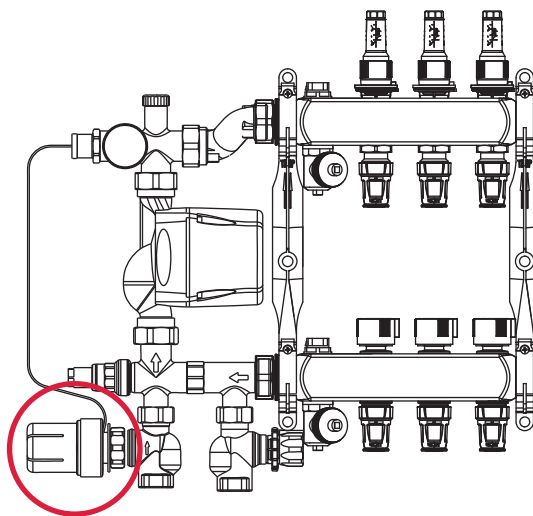
| Temperatur | Temperature |          |
|------------|-------------|----------|
| Primär     | Primary     | 20-90° C |
| Sekundär   | Secondary   | 20-55° C |
| p max.     | p max.      | 6 bar    |

| Pumpe  | Pump   |              |
|--------|--------|--------------|
| U      | U      | 230 V, 50 Hz |
| Q      | Q      | 3,5 m³/h     |
| H      | H      | 6 mWs        |
| P      | P      | 3 ... 42 W   |
| Glykol | Glycol | max. 30 vol% |

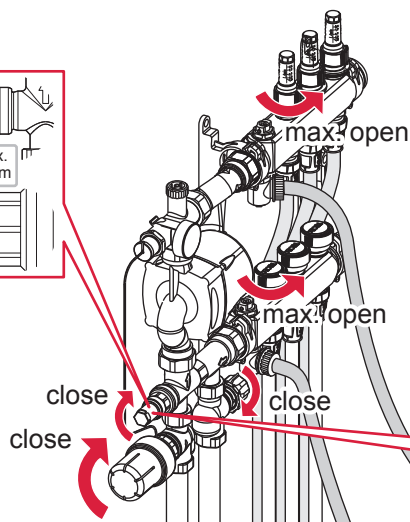
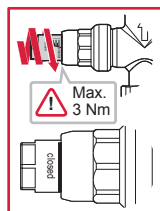
| Ventile          | Valves           |              |
|------------------|------------------|--------------|
| Rücklaufventil   | Return valve     | kvs 2,7 m³/h |
| Thermostatventil | Thermostic valve | kvs 4,0 m³/h |



|                      |   |       |
|----------------------|---|-------|
| Thermostat           | 1 | 20° C |
| Thermostat           | 2 | 25° C |
| Termostato           | 3 | 30° C |
| Термостат            | 4 | 34° C |
| Thermostat           | 5 | 38° C |
| Valvola termostatica | 6 | 42° C |
| Thermostat           | 7 | 46° C |
| Thermostat           | 8 | 50° C |
| Thermostat           | 9 | 55° C |

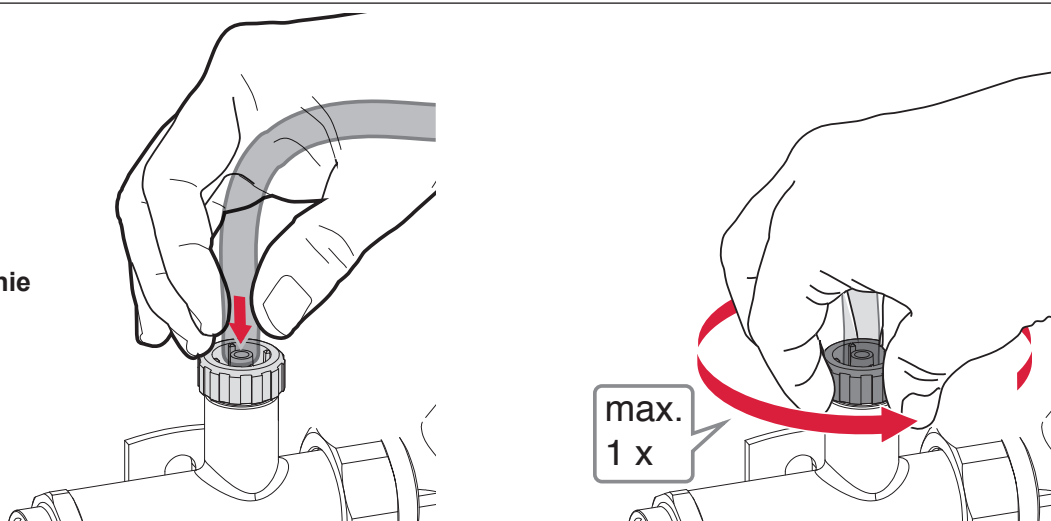


**Befüllen**  
**Filling**  
**Llenado**  
**заполнение**  
**Remplissage**  
**Riempimento**  
**Napełnianie**

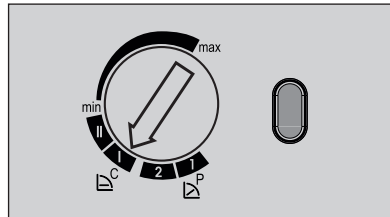
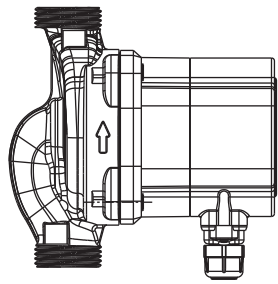


Nach dem Spülen  
 Ventil öffnen  
 Open valve after  
 rinsing  
 Después de la  
 descarga abrir la  
 válvula  
 Открыть клапан  
 после промывки  
 Ouvrir la vanne après  
 rinçage  
 Aprire la valvola dopo  
 il rilavaggio  
 Otwórz zawór po  
 przepłukaniu

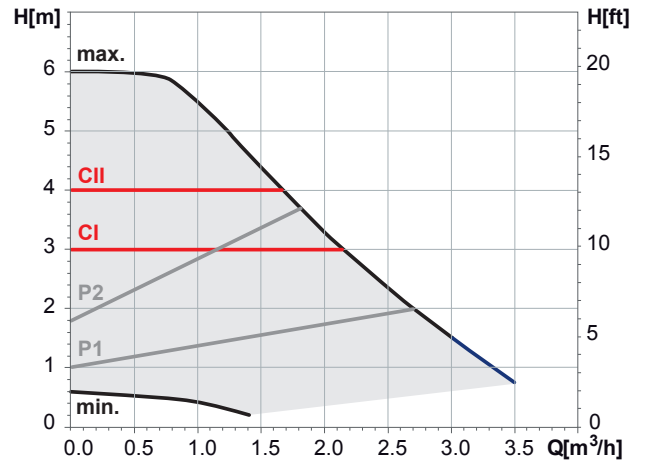
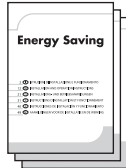
**Entlüften**  
**Venting**  
**Ventilar**  
**Деаэрация**  
**Purger**  
**Sfiatare**  
**Odpowietrzenie**



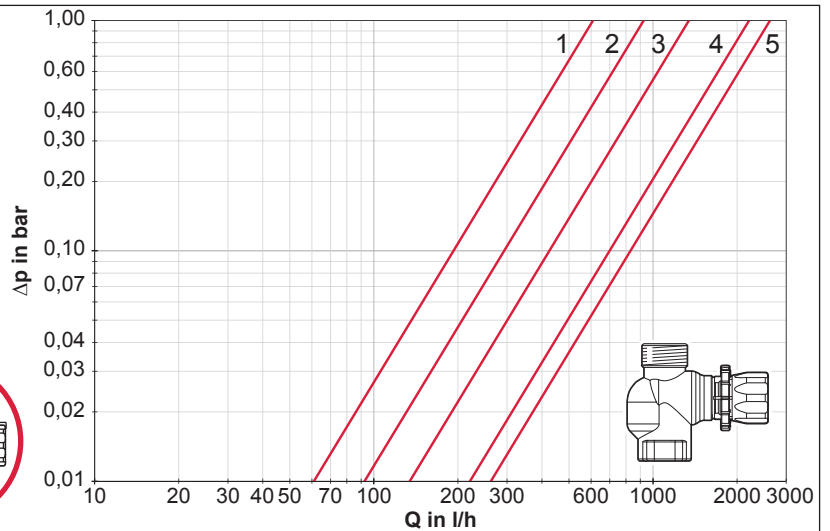
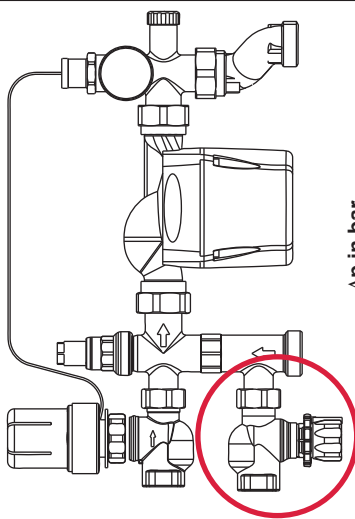
## Pumpe / Pump / Bomba / Hacoc / Pompe / Pompa di circolazione / Pompa



| Programm                    | LED Light        |
|-----------------------------|------------------|
| P1/P2 = $\Delta p$ variabel | green            |
| C1/C2 = $\Delta p$ constant | orange           |
| Min-Max                     | blue             |
| Error                       | red              |
| Air control                 | white (flashing) |



Rücklaufventil  
Return valve  
Valvula de retorno  
Клапан обратной линии  
Vanne de retour  
Valvola di ritorno  
Zawór zwrotny



Balanceventil  
Balance valve  
Valvula de balance  
Балансировочный клапан  
Vanne d'équilibrage  
Valvola di bilanciamento  
Zawór równoważący

